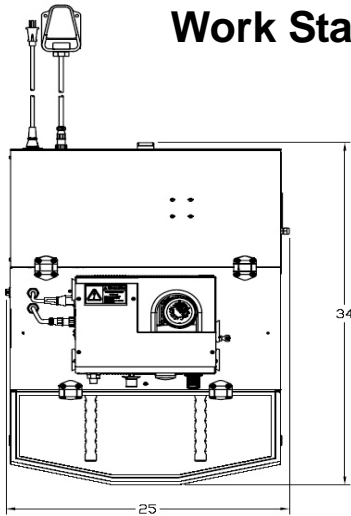




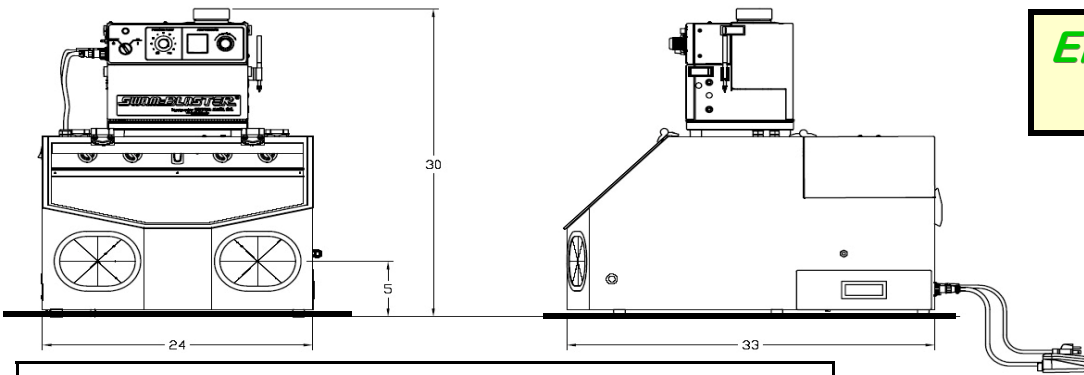
TURBO-Max CCR™

Remove Conformal Coatings safely and fast with pin point accuracy.

The table top Work Station Combines:



- **SWAM-Blaster®** Model MV-2L
- Point Ionizer™ at the Nozzle
- Ionizer Bars in Work Station
- with Built in Filter and Blower
- UV and White Lights
- Wrist Strap



**ENVIRONMENT FRIENDLY
NO SOLVENTS!**

Specifications:	
Model / Part Number:	CCR-MAX-MV2L
Power:	115V/60Hz, 1 phase, 2 amps
Blower Motor:	100 watts
Chamber Interior:	24" wide, 17" high x 19" deep
Window:	Tempered Glass
Air Flow:	258 cfm
Filter:	Pleated Paper
Sound:	Built into cabinet, 65db sound level
Air Requirement:	5 SCFM at 140 psi max, 40 psi min
Weight	160 pounds
Options:	
Zoom Microscope & Mount	Part No. 5060-1
ESD Field Meter System	Part No. 6038-1



Optional: Microscope and Mount for close work



Optional: ESD Field Meter for testing system

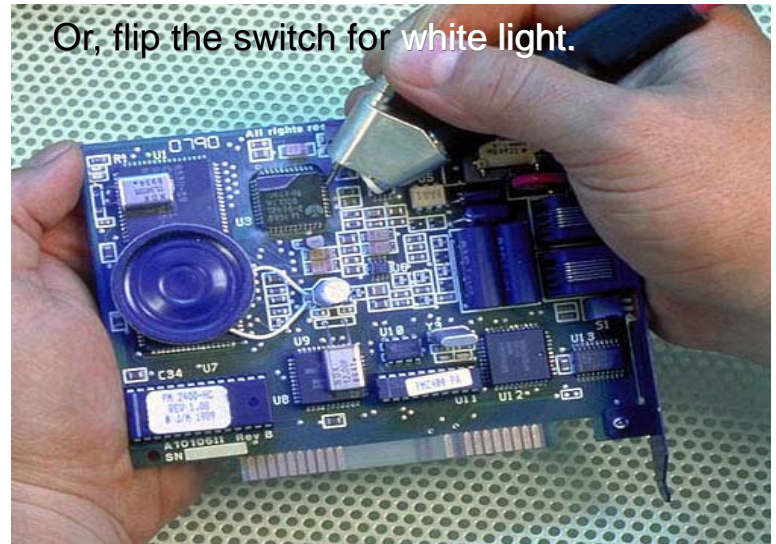
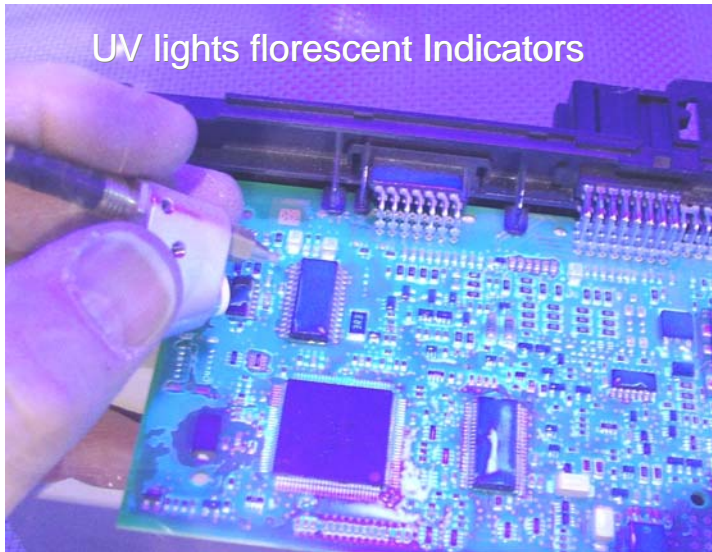
Other Power: 100V/50Hz , 110V/60Hz, 230V/50Hz & 230V/60Hz

**Need something larger?
Ask us about our other systems.**



Environment friendly Conformal Coating Removal
No Solvents! Quick with pin point accuracy. Easy setup, only one air and one electrical connection.

CRYSTAL MARK, INC. Micro Sandblast systems safely and selectively remove most types of conformal coatings from various components including printed circuit boards without causing mechanical or ESD damage



The **SWAM-Blaster**® Model MV-2L was specifically designed to selectively remove conformal coatings from pinpoint areas to an entire surface. With the unique tilt powder tank design, the Model MV-2L offers flexibility to quickly change from one abrasive powder to another for the various types of conformal coatings available. The MV-2L features independently adjustable powder flow control and air pressure regulation, easy access to the abrasive pathway for maintenance as well as large carbide lined components throughout the abrasive pathway for extended wear life and optimum powder volume.

When conformal coated components are sensitive to Electro-Static Discharge (ESD), the **Point Ionizer**™ effectively reduces the ESD from reaching levels that could potentially cause damage to the component during the removal process.

There are several types of abrasive powders available for conformal coating removal including **Environment Friendly Carbo Blast**™ and **Soda Bicarbonate**. **Carbo Blast**™ is the softest and successfully removes most types of conformal coatings including **Parylenes, Silicones, Urethanes, Epoxies, Acrylics** and their blends. Great for PCBs as it does not cause mechanical damage to the solder mask of most boards. Soda Bicarbonate is more aggressive than Carbo Blast and can be used to selectively remove solder mask and oxidation. Plastic Blast is another abrasive powder. It is harder than Soda Bicarbonate and will remove many conformal coatings.

CRYSTAL MARK, INC. offers additional components to complete the micro sandblasting system for conformal coating removal including Work Chambers (standard and ionized), Black Light Bulbs for UV detection, Dust Collectors and Electro Static Field Meter for periodic ESD metering.

Represented by:

GSA Service Company
Military/Gov't Manufacturer's Representative
info@gsaservice.com
(703) 731-8048
www.gsaservice.com

CRYSTAL MARK, INC.

A SWAN TECHNOLOGIES CORPORATION

613 Justin Avenue Glendale, California 91201-2396
(818)240-7520 • (800)659-7926 • FAX (818)247-3574
www.crystalmarkinc.com • sales@crystalmarkinc.com